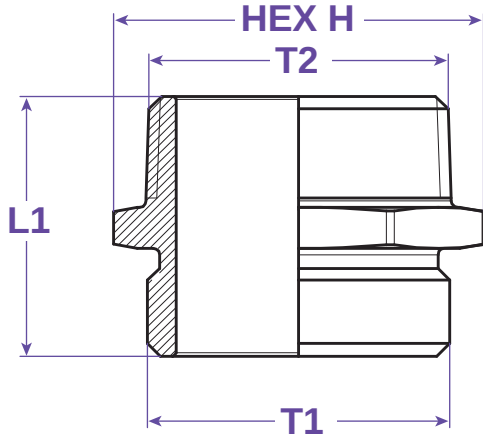
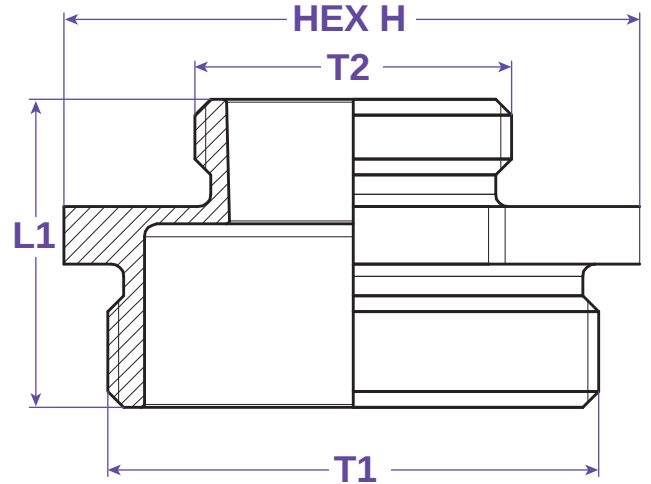




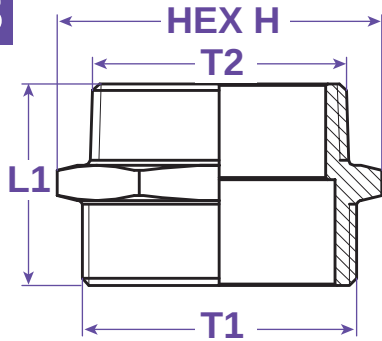
Type 1



Type 2



Type 3



PART #	Type	T1	T2	H	L1
2414620	Type 2	1-1/2" NST	1-1/2" NST	2.0079	1.5945
2414625	Type 1	1-1/2" NST	1-1/2" NPT	2.0079	1.6142
2414630	Type 1	1-1/2" NPSH	1-1/2" NPT	2.0079	1.6142
2414640	Type 1	2-1/2" NST	1-1/2" NPT	3.1496	2.1654
2414650	Type 2	2-1/2" NST	1-1/2" NST	3.1496	1.9173
2414655	Type 2	2-1/2" NST	2" NST	2.3622	2.0472
2414660	Type 3	2-1/2" NPSH	2" NST	2.8740	1.9685
2414665	Type 3	2-1/2" NST	2" NPT	2.1496	2.1457
2414673	Type 2	2-1/2" NST	2-1/2" NPT	2.1496	2.2441
2414675	Type 3	2-1/2" NST	2-1/2" NST	2.1496	2.2835
2414682	Type 3	3" NPT	2-1/2" NST	3.5827	2.6772
2414690	Type 1	4" NST	4" NPT	5.0000	3.2283
2414692	Type 1	4-1/2" NST	4" NPT	5.7480	3.2283

TITLE **ADAPTERS - HEX NIPPLE - DOUBLE MALE**

**DISCLAIMER**

All drawings and specifications are subject to change without notice. Drawings represent general dimensions of our products. Seal Fast cannot guarantee the dimensions in the drawing will exactly match those in the drawing. This drawing is the property of Seal Fast Inc. Copying or reproduction of this drawing is expressly prohibited.

MATERIAL

**BRASS**

**DRAWING NOT TO SCALE**

PART #

**24146XX**

